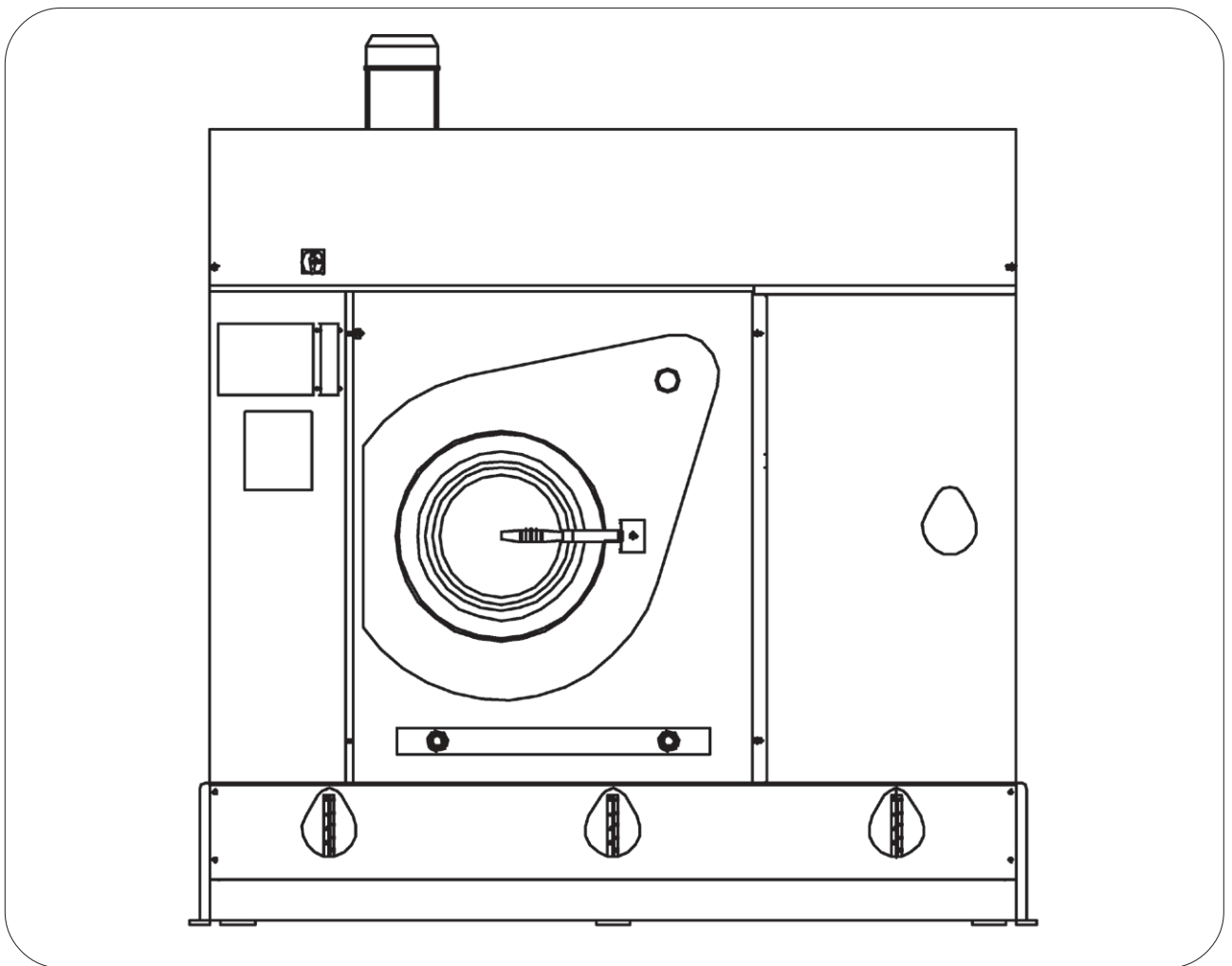




FIRBIMATIC

DRY CLEANING DIVISION

TECHNICAL INFORMATION



L2132

WORKING MACHINE WITH SOLVENT:	HYDROCARBON	
MACHINE CAPACITY	Lbs	70

BASKET

Diameter	inches	47.3
Depth	inches	22.5
Volume	cu-ft	22.8
Wash speed	rpm	12 ÷ 50
Extract speed	rpm	300 ÷ 450
Door opening	inches	20

SOLVENT TANKS

Useful volume tank 1	gal	63.4
Useful volume tank 2	gal	63.4
Useful volume tank 3	gal	87.2
FLOOR SAFETY TANK CAPACITY	gal	145

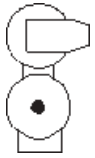

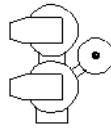
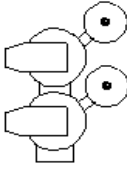
DESTILLATOR

Useful volume at half inspection	gal	95
Total volume	gal	120

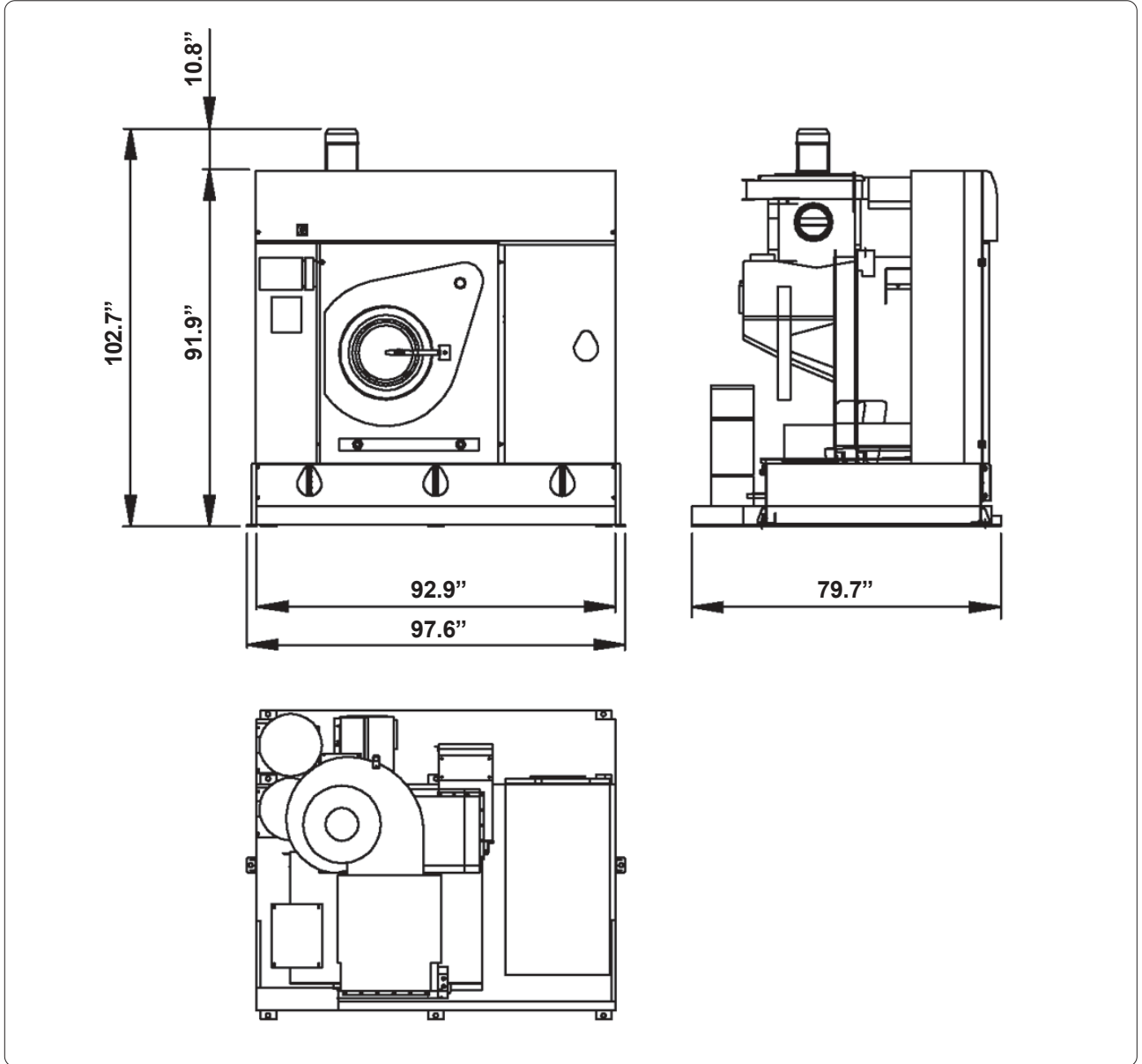
ELECTRIC POWER

(220 V - 60 Hz)

Wash motor - Extract motor	Hp	10.1	Kw	7.5
Solvent pump motor	Hp	1.5	Kw	1.1
Fan motor	Hp	5.5	Kw	4.1
Refrigerator compressor MT81 (R22)	Hp	6.5	Kw	4.85
Nylon filter motor	Hp	0.75	Kw	0.55
Vacuum pump motor	Hp	3	Kw	2.2
Air motor compressor	Hp	0.5	Kw	0.37

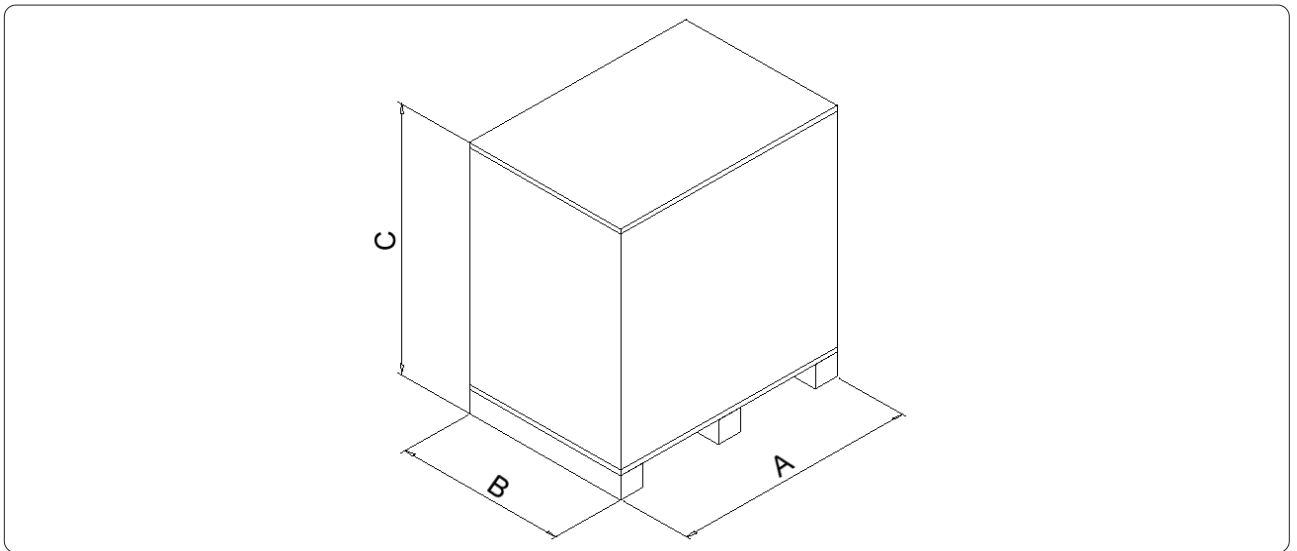
Version	ONE NYLON FILTERS AND ONE CARTRIDGE - KR		
	Volume nylon filter housing	gal	20
	Nylon filter area	ft ²	60
	Filter disks	nr	39
	KR Decolorating housing volume	gal	22.5
	KR Decolorating filter	ft ²	28 x 3 = 84
	KR cartridges quantity	nr	3
Version	ONE NYLON ONE CARTRIDGE - KR ONE DECOLORATING PR		
	Volume nylon filter	gal	20
	Nylon filter area	ft ²	60
	Filter disks	nr	39
	KR Decolorating housing volume	gal	22.5
	KR Decolorating filter area	ft ²	28 x 3 = 84
	KR Decolorating cartridges	nr	3
	PR - Deco filter volume	gal	6.6
	Tubes	nr	1
	PR - Cartridge quantity	nr	2
	Decolorating carbon quantity	Lbs	8.8
Version	TWO NYLON FILTERS AND ONE DECOLORATING FILTERS		
	Volume nylon filter housing	gal	20 x 2 = 40
	Nylon filter area	ft ²	60 x 2 = 120
	Filter disks	nr	39 x 2 = 78
	PR - Deco filter volume	gal	6.6
	Tubes	nr	1
	PR - Cartridge quantity	nr	2
	Decolorating carbon quantity	Lbs	8.8
Version	TWO NYLON FILTERS AND TWO DECOLORATING FILTERS - PR		
	Volume nylon filter housing	gal	20 x 2 = 40
	Nylon filter area	ft ²	60 x 2 = 120
	Filter disks	nr	39 x 2 = 78
	PR - Deco filter volume	gal	6.6 x 2 = 13.2
	Tubes	nr	2
	PR - Cartridge quantity	nr	4
	Decolorating carbon quantity	Lbs	17.6

DIMENSIONS AND WEIGHTS



CHARGES		
Empty machine weight	Lbs	6260
Machine weight with solvent	Lbs	7980
Static charge on the floor with solvent	Lbs/ft ²	155
Dynamic charge on the floor (+10%)	Lbs/ft ²	234

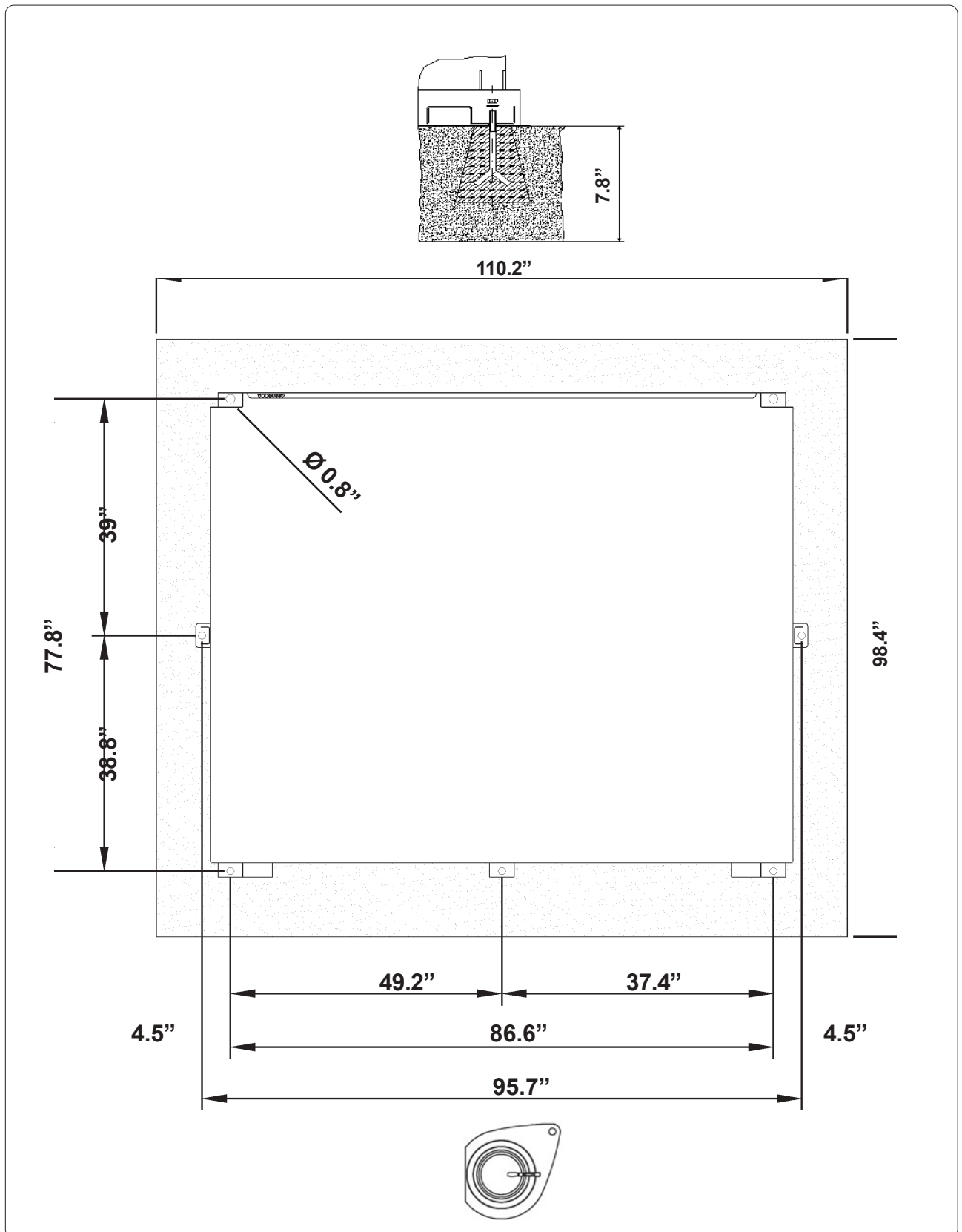
PACKAGED MACHINE DIMENSIONS AND WEIGHTS



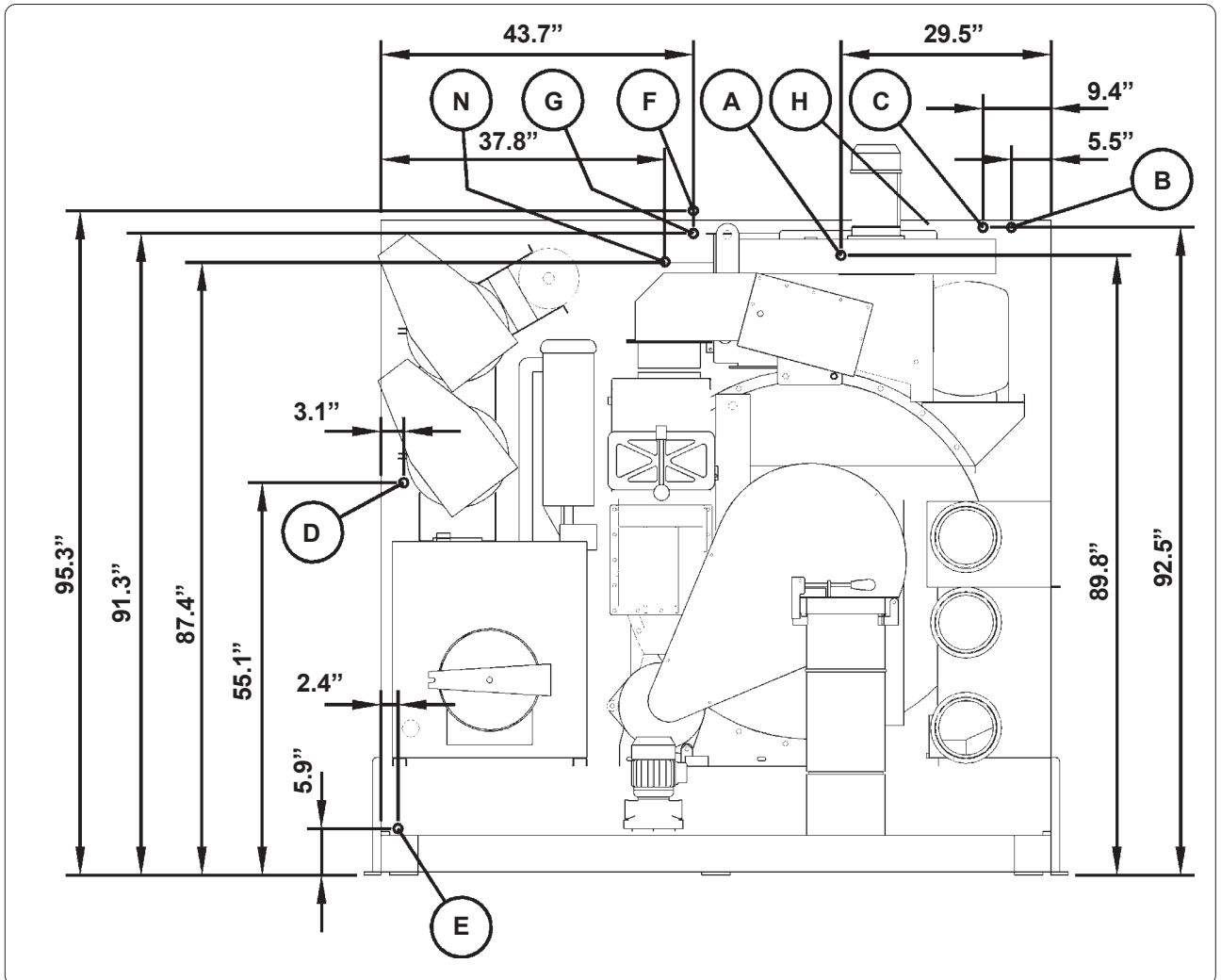
PACKAGED MACHINE DIMENSIONS				
Machine type		Carton	Wooden cage	Wooden case
L2132	A		inches 101.6"	
	B		inches 87.8"	
	C		inches 97.6"	

PACKAGED MACHINE WEIGHTS				
Machine type		Carton	Wooden cage	Wooden case
L2132			Lbs 7098	

FIXING POINTS



CONNECTIONS



A	Compressed air inlet	Ø 6 mm
B	Water inlet	Ø 1"
C	Water outlet	Ø 1"
D	Steam still inlet	Ø 1/2"
E	Condensate still outlet	Ø 1/2"
F	Steam heater inlet	Ø 1/2"
G	Condensate heater outlet	Ø 1/2"
H	Electric connection	
N	Nitrogen feeding connection (N ₂)	

SOLVENT TYPE	HYDROCARBON			
NECESSARY QUANTITY OF SOLVENT TO FILL THE MACHINE				
Machine Version - 1 Nylon F.+1 KR Filter	gal	264	Lbs	1698
Machine Version - 1 Nylon F.+1 KR Filter+1 Deco F.	gal	270	Lbs	1742
Machine Version - 2 Nylon F.+1 Deco Filter	gal	268	Lbs	1720
Machine Version - 2 Nylon F.+2 Deco Filter	gal	275	Lbs	1764

INFORMATION FOR THE ELECTRICAL CONNECTIONS (220 V - 60 Hz)				
ELECTRIC Version	Kw	-	Amp	-
STEAM Version	Kw	20	Amp	84.5

GENERAL INFORMATION		
Required water capacity	gal/min	3
Required water pressure	psi	29 ÷ 44
Required water temperature	°F	65° ÷ 70°
Required air pressure	psi	100 ÷ 115
Required steam pressure (Steam Version)	psi	55 ÷ 70
Required steam availability (Steam Version)	Lbs/h	132

All technical data are subject to change without notice.